

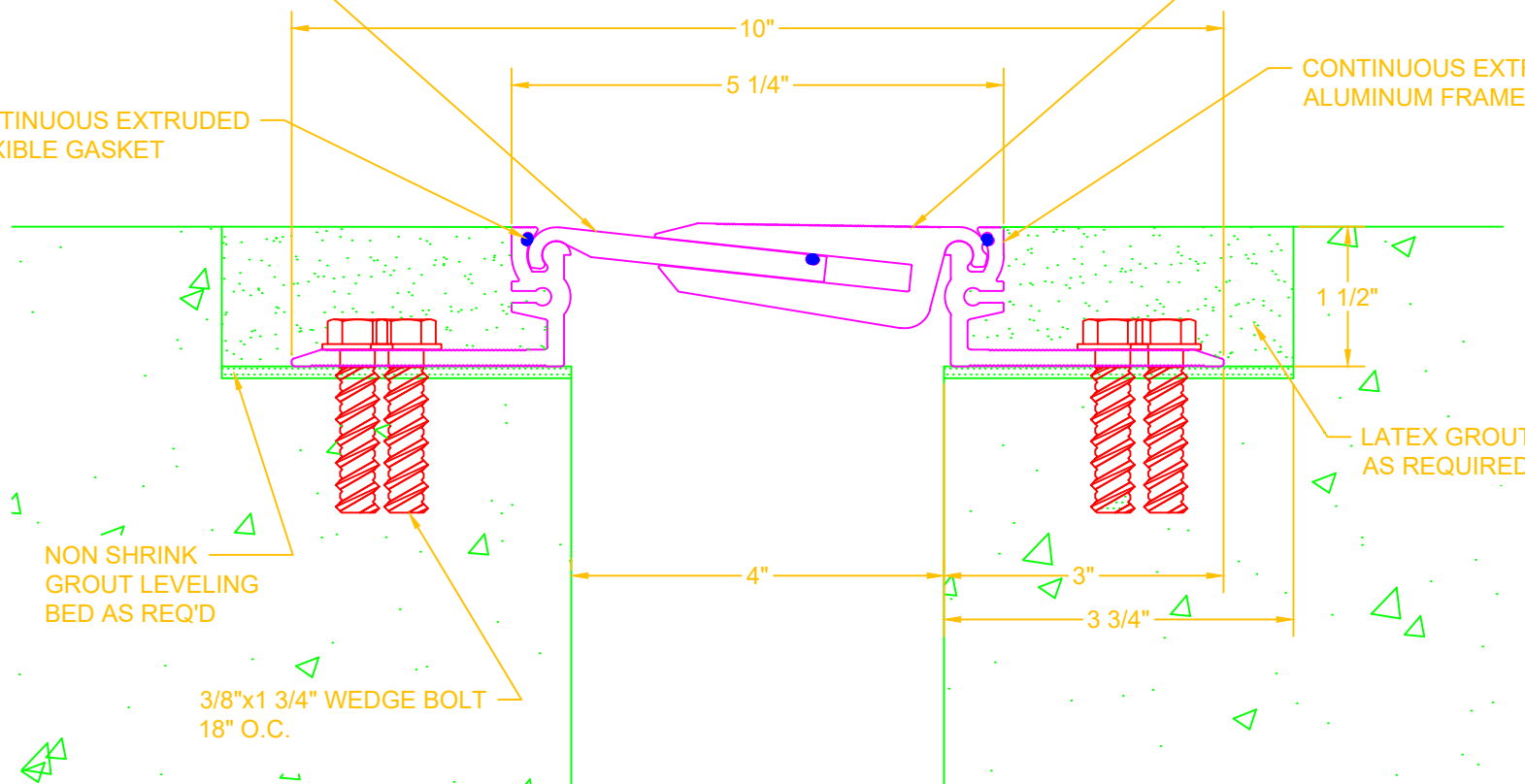


CONTINUOUS EXTRUDED ALUMINUM COVER PLATE INSERT

CONTINUOUS EXTRUDED ALUMINUM COVER PLATE

CONTINUOUS EXTRUDED FLEXIBLE GASKET

CONTINUOUS EXTRUDED ALUMINUM FRAME



NON SHRINK GROUT LEVELING BED AS REQ'D

1 1/2"

LATEX GROUT AS REQUIRED

4"

3"

3 3/4"

3/8"x1 3/4" WEDGE BOLT
18" O.C.

Model: HMF 400



PROJECT:

SCALE: 1:2

CUSTOMER:

DATE:

LOCATION:

JOB NO.:

DRAWN BY:

SHEET NO.: